

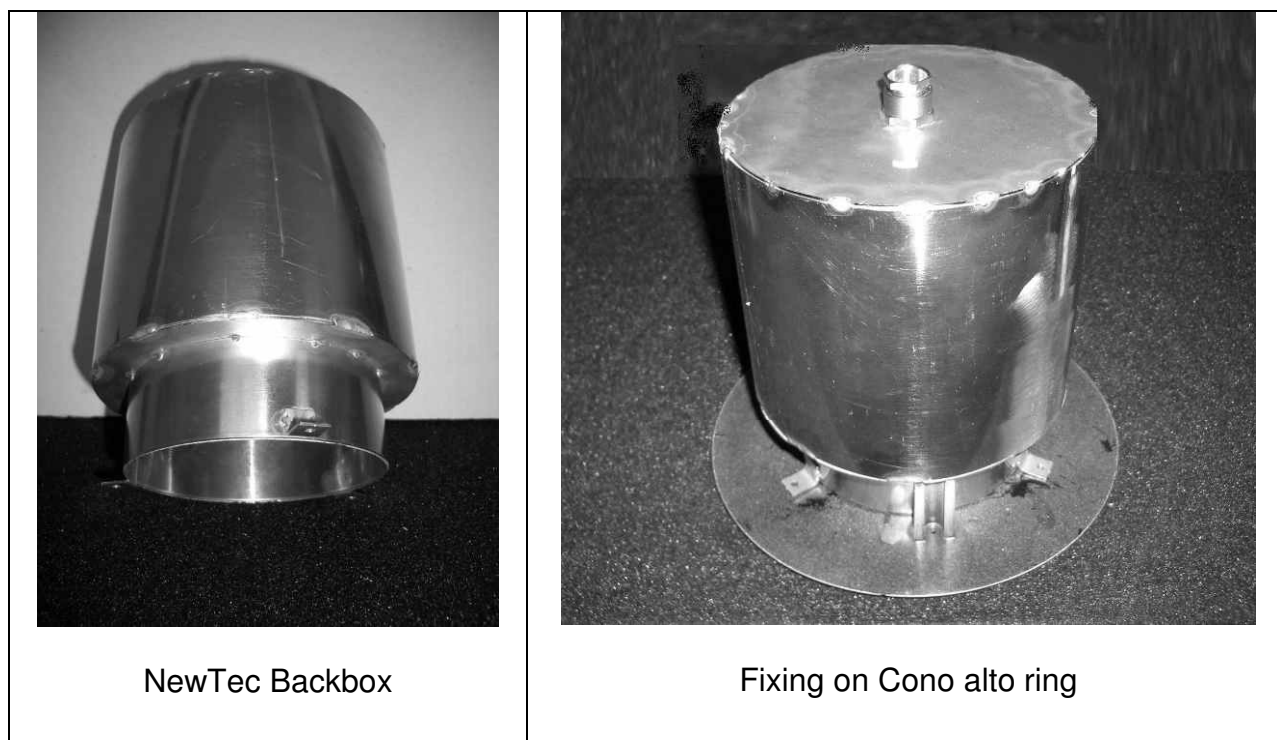
ACCESSORIES for Cono alto S – M – V

NewTec Backbox / embedded mounting box

The NewTec Backbox serves to create a resonance space for the NewTec Cono alto ceiling mounted loudspeaker. This is necessary mainly with open or sound permeable ceilings to avoid an acoustic short circuit (cancellation of frequencies).

The NewTec embedded mounting box is used for the embedding of the ceiling mounted NewTec Cono alto in cement ceilings. During construction, it must be positioned directly in the place where it is to be installed, to allow it to be embedded later in the ceiling.

NewTec Backbox



The NewTec Backbox is made from stainless steel. It is mounted on the back of the Cono alto (fig. 2) and screwed on using the 3 holes.

It is then installed on the ceiling by tightening the fixing clamps (see Cono alto – page 5).

Material:	<i>stainless steel</i>
Hole in ceiling:	<i>Ø130 mm</i>
Minimum embedding depth required:	<i>140 mm from lower edge of ceiling</i>
Maximum thickness of ceiling covering:	<i>35 mm</i>
Thickness:	<i>0.5 mm</i>

NewTec embedded mounting box

The NewTec embedded mounting box is used for the embedding of the ceiling mounted NewTec Cono alto in cement ceilings. During construction, it must be positioned directly in the place where it is to be installed, to allow it to be embedded later in the ceiling.

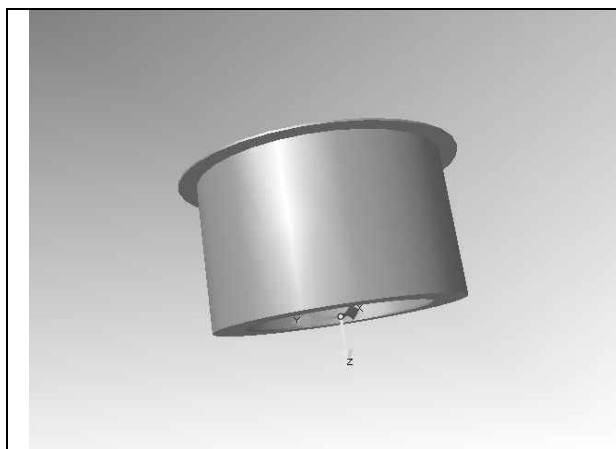
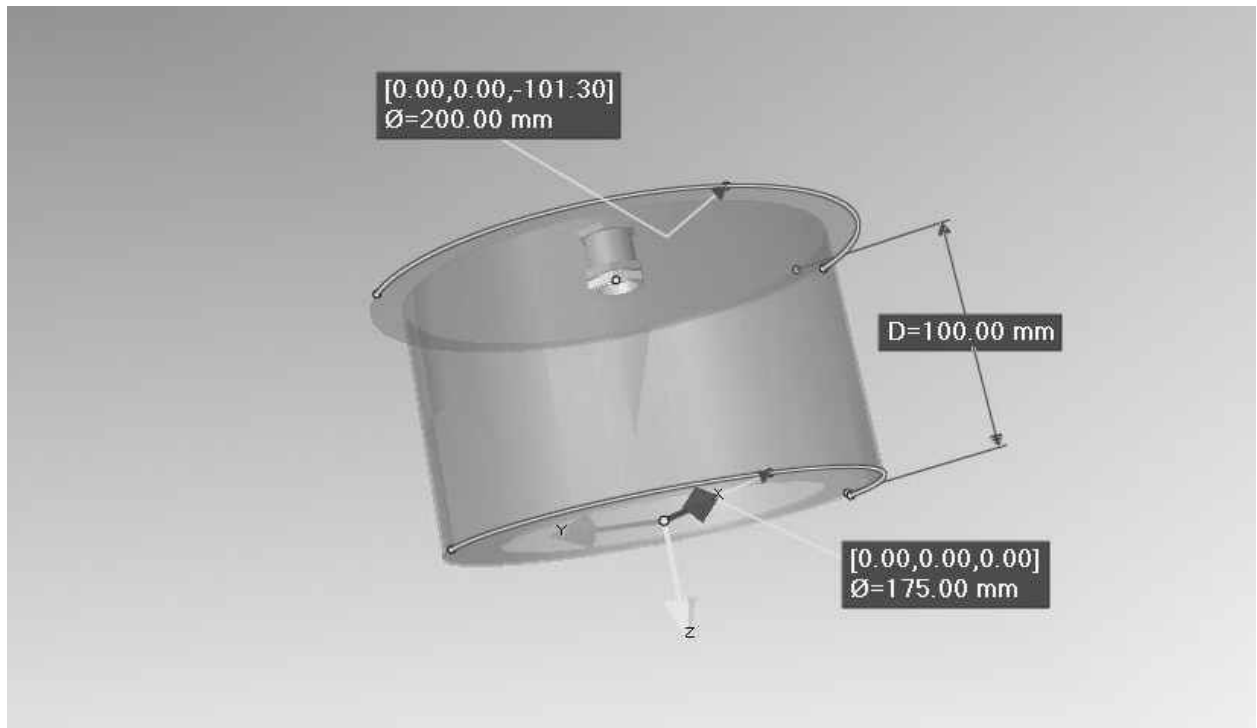


Fig. 1 NewTec embedded mounting box



Fig. 2 fixing of Cono alto

The NewTec embedded mounting box is made from zinc plated sheet metal. It is embedded directly in the ceiling during construction. Finally the Cono alto is mounted (fig. 2), removing the mounting clamps and fixing the 3 screws to the 3 supports provided on the mounting box.

Material:	<i>zinc plated sheet metal</i>
Hole in ceiling:	<i>Ø 200 mm upper edge Ø 175 mm lower edge</i>
Depth:	<i>100 mm</i>
Thickness of sheet metal:	<i>1 mm</i>