

## NewTec Diabolo applique / pendo



Fig.1) Diabolo Applique

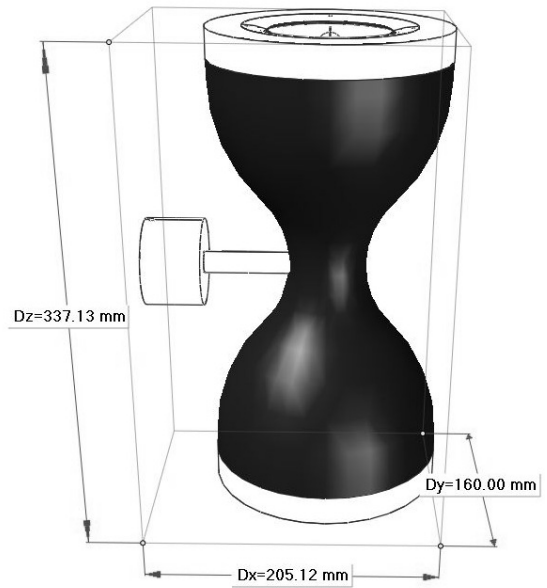


Fig. 2) Diabolo applique dimensions

### N.B.: USAGE INSTRUCTIONS – SETUP – CONNECTION

The complete instructions for connecting the NewTec Diabolo are supplied with the product.

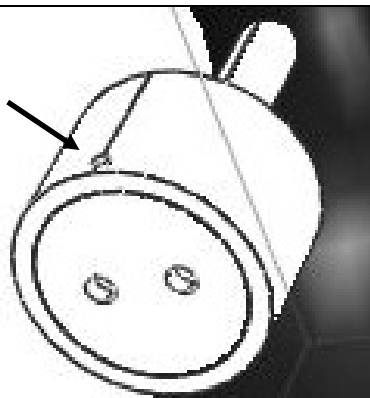


Fig. 3) Support using 2 hexagon hollow head screws



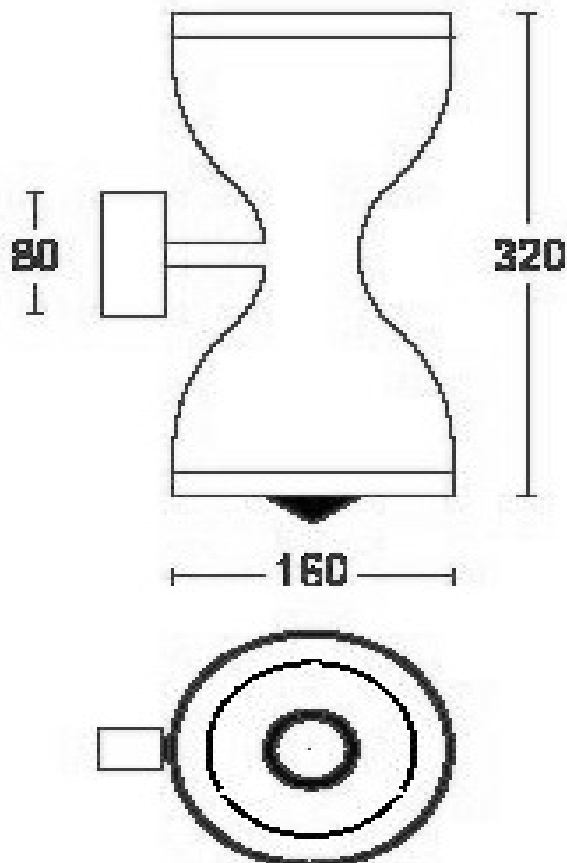
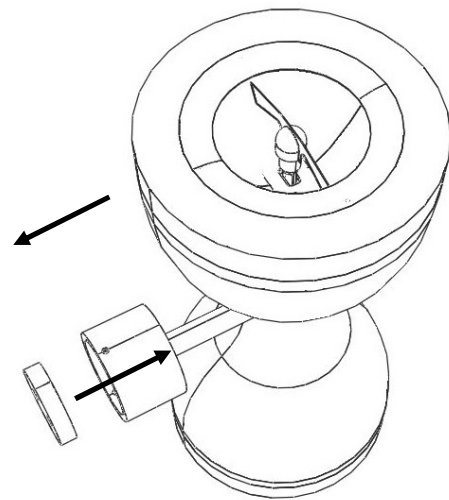
Fig. 4) M6 hexagon hollow head screw for fixing

To mount the Diabolo Applique or Diabolo pendo, remove the M6 hexagon hollow head screws using a **3 mm Allen key** (figs. 3 and 4). Observe the correct direction of rotation.

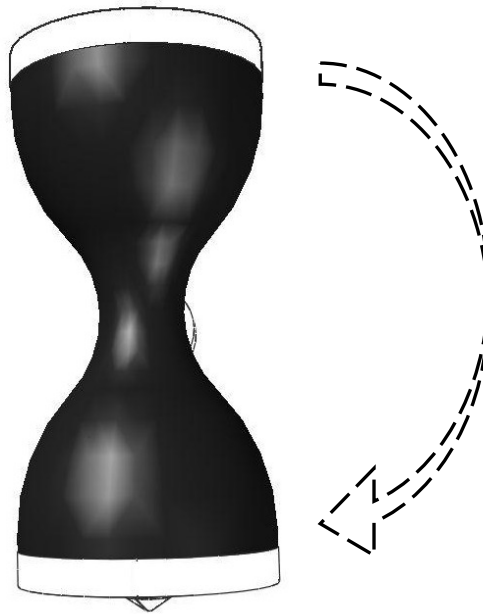
Use the **mounting ring as a guide** and make the respective holes for the plugs directly on the cable exit. Use the supplied pins for this purpose. If they are not suitable for the type of wall, contact a specialist shop and use the correct product. Screw the mounting ring of the wall mounting support on firmly.

Now cable the system according to the **laying of the cables as per the instructions supplied with the product (information sheet)**.

Finally, turn the wall mounting support of the Diabolo upside down on the mounting ring and fix it easily by inserting the hexagon hollow head screws.



Now turn the loudspeaker to the desired position, with the membrane pointing upwards or downwards and fix it finally by screwing the hexagon hollow head screws strongly.



We assume no responsibility for unauthorised work on our lamps, incorrect use, installation errors etc. The lamps must always be used in accordance with the usage instructions! No responsibility can be assumed for parts subject to wear or consumption, such as light sources, as this is considered a 'normal defect' of the product. Connection of the lamp-loudspeaker to the power supply must only be carried out by an expert.

#### Technical data specifications

<b>Name</b>	Diabolo applique
<b>Type</b>	1 way speaker with RGB led and 100 W halogen lamp
<b>Impedance</b>	4 Ω
<b>Rate capacity</b>	50 watts RMS
<b>Nominal sensitivity (1 W, 1 m)</b>	85.5 dB (+6 dB on 360 °)
<b>Max. SPL with high pass filter</b>	102.5 dB (with high pass filter 120 Hz / min. 18 dB – oct.)
<b>Installation options</b>	Wall mounted model

# Diabolo for Showroom

The Diabolo for Showroom has all electronic for the LED and light inside. Connect with 220 V AC and the speaker on the respective Poles.

## LED CONTROL:

To control the LED unit, use the control remote included. Point the control unit in direction to the speaker side from about 1 m distance. The single commands are described on the remote control unit.

## LIGHT CONTROL:

To turn ON/OFF the light, touch quickly the Aluminum ring on the speaker side. You can dim the light by touching the Aluminum ring and remaining in touch till the desired brightness is reached.



Touch quickly to turn ON/OFF the light



Remain on Aluminum ring to dim the lamp



Lamp ON