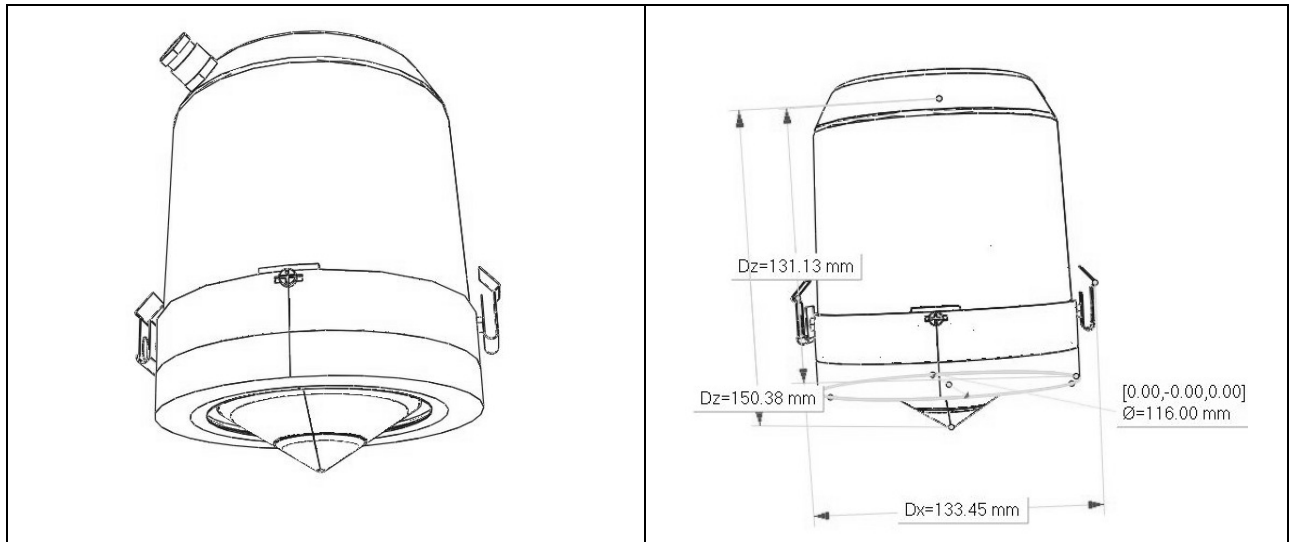


NewTec Cono modulo per iGuzzini

The NewTec Cono modulo per iGuzzini has been designed for those wishing to connect superb quality lighting and sound diffusion components. The integration of the NewTec Cono modulo with different lighting elements by lighting manufacturer iGuzzini means the audio module has an extremely vast field of application, without negatively affecting the architecture. Light and sound develop their full beauty, in perfect harmony with multifunctional furnishings for public areas.



Thanks to the 360° sound diffusion and extraordinary sound efficiency, NewTec Cono modulo per iGuzzini is an excellent audio system for background music in small areas, diffusion in halls, public areas, boutiques, shops, passageways, galleries, museums etc.

iGuzzini lamp, Frame Grande model – with light and NewTec Cono modulo – installed as for NewTec Cambio (see page 20).



The light source is removed and Cono modulo per iGuzzini inserted in its place. **The NewTec Cono modulo per iGuzzini is fitted with the same supports as the light sources and can therefore be used in an identical manner.**

Technical data specifications

Term	Cono modulo per alteme	Cono modulo per iGuzzini
Type	Ceiling speaker for Alteme RAY light systems (module integration)	Ceiling speaker for iGuzzini Light systems (module integration for models Frame grande, Minimal grande, Cestello)
Principle	one way speaker	one way speaker
Dimensions W x L x H (in sight)	Ø 134 mm x 160 mm	Ø 113 mm x 163 mm
Weight	2,2 kg	1,9 kg
Enclosure	Aluminium, Cup in PLEXI Glass	Aluminium, stainless steel
Colors	silver	silver
Equipment	1 NewTec M13 - 8633 by Scanspeak	1 NewTec KA10 by Vifa
Impedance	8 Ω	100 Volt / 2000 Ω - 250 Ω
Rate capacity / Music capacity	90 Watt / 170 Watt	2,5-5-10-20 Watt to shift
Nominal Sensitivity (1 W, 1 m)	82,4 dB (+6 dB on 360°)	86,2 dB (+6 dB on 360°)
Maximum SPL	105 dB (active high pass 120 Hz / 18 dB - Octave)	99,5 dB
Frequency response	120 - 20.000 Hz (-3 dB)	85 - 21.000 Hz (+/- 3 dB)
Connectors	cable	cable with clip

NewTec
Design : Audio

NewTec Cono modulo

Lampade adatte per l'installazione del Cono modulo

Art. no. iGuzzini	FRAME grande
8876	round version – single module
8878	square version – single module
8880	square version – double module
8882	square version – triple module
8884	square version – quadruple module
8886	square version – sextuple module
8889	square version – cover + 2 + 2
8891	square version – square cover + 2 + 2
8892	square version – square cover + 2 + 2
8893	square version – square cover + 2 + 2



8876



8878



8880



8882



8884



8886



8889



8891/8892/8893

NewTec Cono modulo

Lamps for integration of Cono modulo per iGuzzini

Art. no. iGuzzini	MINIMAL grande
8836	round version – single module
8838	square version – single module
8840	square version – double module
8842	square version – triple module
8844	square version – quadruple module
8846	square version – sextuple module
8849	square version – cover + 2 + 2



8836



8838



8840



8842



8844



8846



8849