

**Cono solo Lux  
Cono solo LED**



# Cono Solo Lux Cono Solo LED

– a new way of looking,  
of listening and enjoyment.

The unique symbiosis of light and sound unite to meet the demands on modern light and sound design. The soft sound fingerprint and innovative light technology influence rooms in a special way, which invite you to linger and experience the LED repertoire from a diffused secondary illumination to the reproduction of high value stereo receptions.



## At a glance

### Operational principles

One way loud speaker  
360° uniform sound dispersion  
Extremely broad frequency bandwidth



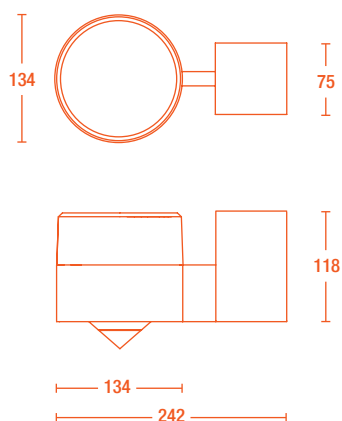
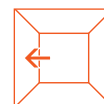
### Distinctive features

Elegant design, variable colours  
Light and sound combined in one unit  
Simple wall mount with a fixed clip system  
Superior tone quality



### Application

Excellent sound quality for all requirements  
Ranging from soft background music up to the reproduction of high level stereo and HiFi quality  
Atmospheric lighting  
Melodious light themes



## Suitability

Sound redefines the perception of space.

Quality acoustics influences our well-being and may extend the time we spend in shops, bars, restaurants and customer orientated locations or in wellness areas.

The conical geometry of the **Cono solo Lux** produces a uniform dispersion of sound, but conceals its source. A soft comfortable sound fingerprint is created through the use of a novel aluminium membrane. Sound and light radiate similar dispersion characteristics thus requiring the same ideal positioning in rooms. The symbiosis of light and sound packaged in an elegant design produces an impressive spatial sound behaviour applicable from diffused lighting to full atmospheric illumination.

The **Cono solo Lux** model with its assembly of white lights makes it particularly suitable for secondary atmospheric or soft evening illumination. The **Cono solo LED** is based on reliable light technology, which is equipped with high performance RGB and W Led's. The technology supports a fixed setting of seven different colours and is compatible with all standard light controls and corresponding protocols e.g. DMX or Dali. The atmospheric light change and choreography feature makes this model suitable for multiple uses and locations, for example: to enhance relaxation in wellness facilities, in adventure park catering areas, in conference facilities and in outdoor locations.

Contrary to conventional loud speakers, a considerably higher level of quality sound with less sound equipment is achieved. This new design offers the flexibility between pure sound systems to the attractive combination of light and sound systems.

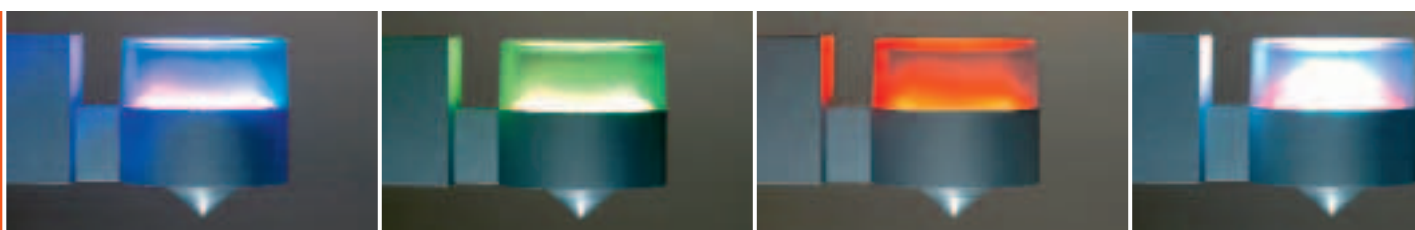
## References

Ski Lounge Serfaus, VIP and outdoor areas  
M3, Munich, club room

## Technical Data Specifications

| Term               | Cono solo Lux                      | Cono Solo LED  |
|--------------------|------------------------------------|--|
| Illuminant         | Sylvania Micro Lynx                | High current RGB LED   |
| Luminous intensity | 7 Watt                             | 8,4 Watt   |
| Light color        | white                              | cyan, magenta, yellow, red, green, blue, white   |
| Lux                | 350 lux                            | 320 lux  |
| Power supply       | 90 - 265 Volt AC                   | 78 - 260 Volt AC / 24 Volt integrated transformer  |
| Durability         | 6.000 to 7.000 hours               | 50.000 to 80.000 hours   |
| Connectors         | clip                               | Print plug 6 poles for control panels and interfaces   |
| Control            | Standard 220 Volt Switch or Dimmer | compatible with Standard Light control panels to produce individual lightchoreografies in DMX, Dali, and similar |

| Type                            | Wall mounted                                      | Wall mounted                                      |
|---------------------------------|---|---|
| Principle                       | one way speaker                                   | one way speaker                                   |
| Dimensions W x L x H (in sight) | 134 mm x 242 mm x 118 mm                          | 134 mm x 242 mm x 118 mm                          |
| Weight                          | 2,8 kg  | 3,05 kg   |
| Enclosure                       | Aluminium, Cup in PLEXI Glass                     | Aluminium, Cup in PLEXI Glass                     |
| Colors                          | silver, white - every RAL color on request        | silver, white - every RAL color on request        |
| Equipment                       | 1 NewTec M13 - 8633 by Scanspeak                  | 1 NewTec M13 - 8633 by Scanspeak                  |
| Impedance                       | 8 Ω   | 8 Ω   |
| Rate capacity / Music capacity  | 90 Watt / 170 Watt                                | 90 Watt / 170 Watt                                |
| Nominal Sensitivity (1 W, 1 m)  | 82,4 dB (+6 dB on 360°)                           | 82,4 dB (+6 dB on 360°)                           |
| Maximum SPL                     | 105 dB (active high pass 120 Hz / 18 dB - Octave) | 105 dB (active high pass 120 Hz / 18 dB - Octave) |
| Frequency response              | 120 - 20.000 Hz (-3 dB)                           | 120 - 20.000 Hz (-3 dB)                           |
| Connectors                      | pole clip gold plated                             | screw clips gold plated                           |





## Product Overview

### The Cono Linie

-  Cono alto
-  Cono pendo
-  Cono solo
-  Cono duo

### The Cono Linie with integrated light

-  ▶ Cono solo Lux  
Cono solo LED
-  Cono modulo

### The Pro Linie

-  Pro 100
-  Pro 200
-  Pro 400

“We converge sound with form.”

**NewTec**  
Design : Audio

Negrellistrasse 13B  
I – 39100 Bolzano, Italy  
Tel +39 0471 058 065  
Fax +39 0471 058 066

[info@newtec-audio.com](mailto:info@newtec-audio.com)  
[www.newtec-audio.com](http://www.newtec-audio.com)